

# PracticeVCE

## Pass Your Next Certification Exam Fast!

Everything you need to prepare, learn & pass your certification exam easily.

365 days free updates. First attempt guaranteed success.

15+  
YEARS IN BUSINESS

39795+  
SUCCESSFULL CASES

39305+  
SATISFIED CLIENTS

39395+  
THE NUMBER OF CONSULTING

## TRY BEFORE YOU BUY

Download a free sample of any of our exam questions and answers

- ✓ 24/7 customer support, Secure shopping site
- ✓ Free One year updates to match real exam scenarios
- ✓ If you failed your exam after buying our products we will refund the full amount back to you.



### 365 Days Free Updates

Free update is available within 365 days after your purchase. After 365 days, you will get 50% discounts for updating.



### Security & Privacy

We respect customer privacy. We use McAfee's security service to provide you with utmost security for your personal information & peace of mind.



### Instant Download

After Payment, our system will send you the products you purchase in mailbox in a minute after payment. If not received within 2 hours, please contact us.



### Money Back Guarantee

Full refund if you fail the corresponding exam in 60 days after purchasing. And Free get any another product.

<http://www.practicevce.com>

Professional Study Tool and Reliable Exam Practice Material

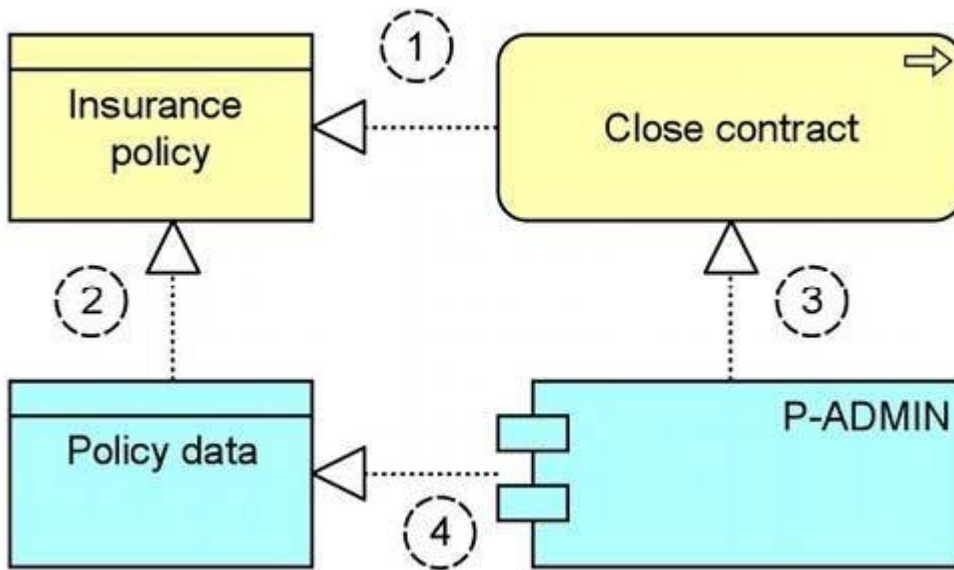
**Exam** : **OG0-023**

**Title** : ArchiMate 2 Combined Part  
1 and 2 Examination

**Vendor** : The Open Group

**Version** : DEMO

NO.1 Consider the following diagram:



Which of the numbered relationships is correct according to the ArchiMate metamodel?

- A. Number 1
- B. Number 2
- C. Number 3
- D. Number 4

**Answer:** B

NO.2 Which Implementation and Migration Extension viewpoint is used to model the management of architecture change?

- A. Migration viewpoint
- B. Implementation and Migration viewpoint
- C. Business Function viewpoint
- D. Project viewpoint

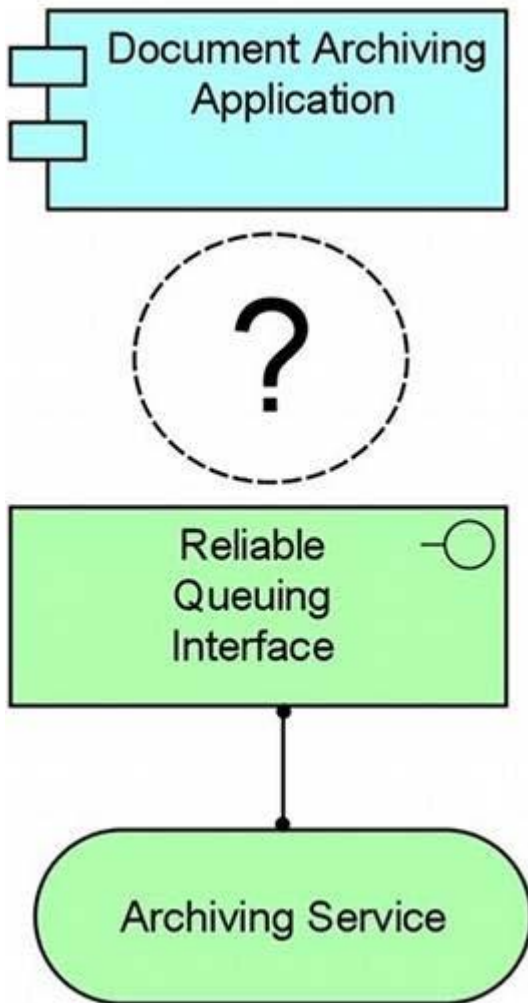
**Answer:** D

NO.3 Which concept from the Motivation extension is most appropriate to represent a concern of one or more stakeholders?

- A. Assessment
- B. Driver
- C. Requirement
- D. Goal

**Answer:** B

NO.4 The Document Archiving application relies on an archiving service, which it accesses through a reliable queuing interface.



Which relationship would most accurately describe this situation?

- A. Assignment
- B. Realization
- C. Used By
- D. Triggering

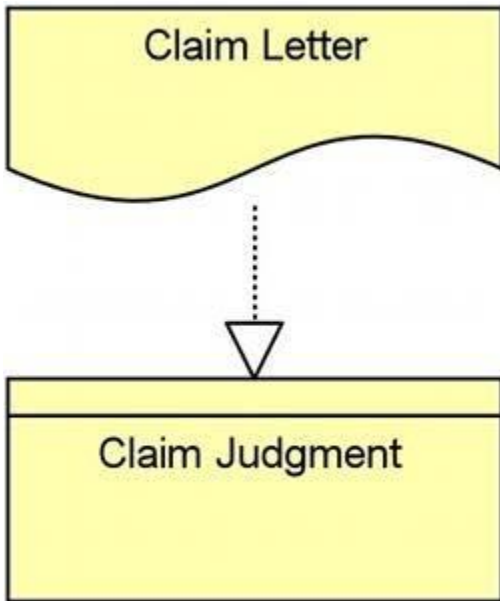
**Answer:** C

NO.5 Which of the following answers contains only concepts within the scope of the ArchiMate Implementation and Migration extension?

- A. Work Package, Artifact, Plateau, Driver
- B. Work Package, Deliverable, Plateau, Gap
- C. Project, Work Package, Deliverable, Plateau
- D. Project, Resource, Deliverable, Gap

**Answer:** B

NO.6 Consider the following diagram:

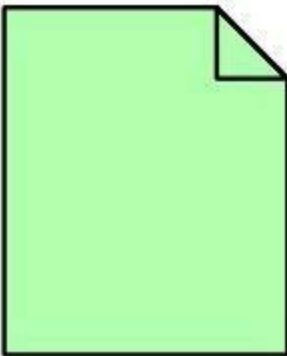


Which of the following most correctly interprets the diagram?

- A. A Claim Letter represents a Claim Judgment
- B. Information from Claim Letters is considered in Claim Judgments
- C. Claim Letters are written before Claim Judgments are made
- D. A Claim Letter is a particular type of Claim Judgment

**Answer:** A

NO.7 Consider the following symbol:



Which of the following best describes what this symbol represents?

- A. A modular, deployable, and replaceable part of a software system that encapsulates its behavior and data and exposes these through a set of interfaces
- B. A perceptible form of the information carried by a business object
- C. A physical piece of data used or produced in software development, or by system deployment and operation
- D. A software environment for specific types of components and objects that are deployed on it

**Answer:** C

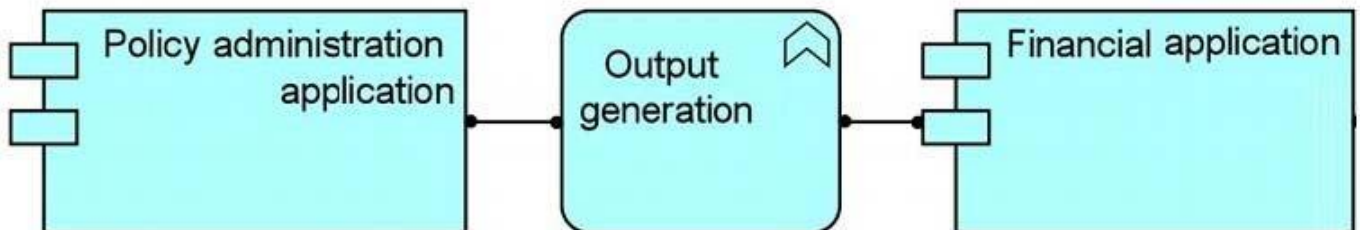
NO.8 Which two concepts from the generic ArchiMate metamodel represent the external view on a system?

- A. Services and components

- B. Service and interface
- C. An active structure element and interface
- D. A behavior element and interface

**Answer:** B

NO.9 Consider the following diagram:

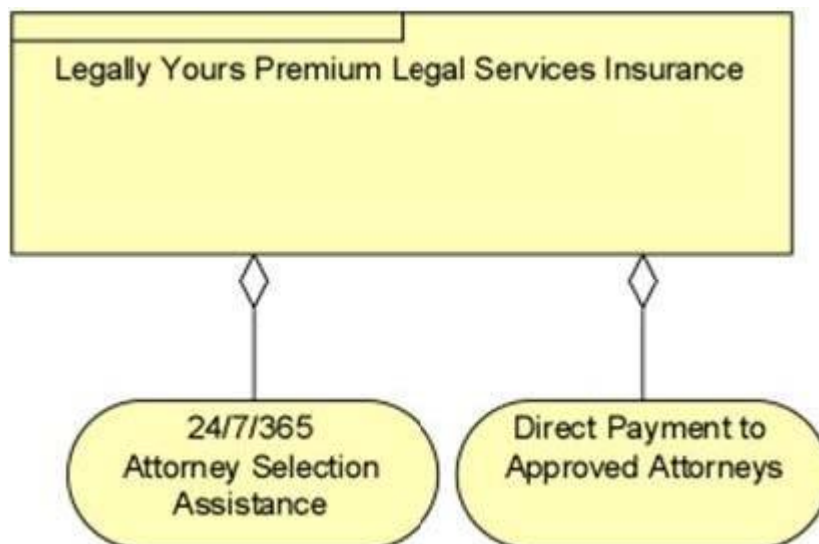


Which of the following statements best interprets this diagram?

- A. Output generation is explicitly modeled as the collective behavior of the application components: Policy administration application and Financial application
- B. Output generation is an application service that is realized in a joint effort of the Policy administration application and the Financial application
- C. Output generation is behavior that is present in the Policy administration application as well as in the Financial application
- D. Output generation represents the application collaboration of the Policy administration application and Financial application

**Answer:** C

NO.10 The Legally Yours division of ArchiSurance has introduced a new product described in the following diagram:



Based on the diagram, what can we tell about the Legally Yours Premium Legal Services Insurance product?

- A. It is delivered by two separate departments

- B. It has two separate structural components
- C. It includes two distinct services
- D. It offers specific services that are not included with any other product

**Answer: C**